

NEW · NEW · NEW

PAUS

...the people who care

Swivel Loader

*Power,
manoeuvrability,
efficiency*



Swivel Loader SL 1055

PAUS Swivel Loader SL 1055

The Swivel Loader SL 1055 is the efficient solution for heavy work.



Versatile, manoeuvrable and universal

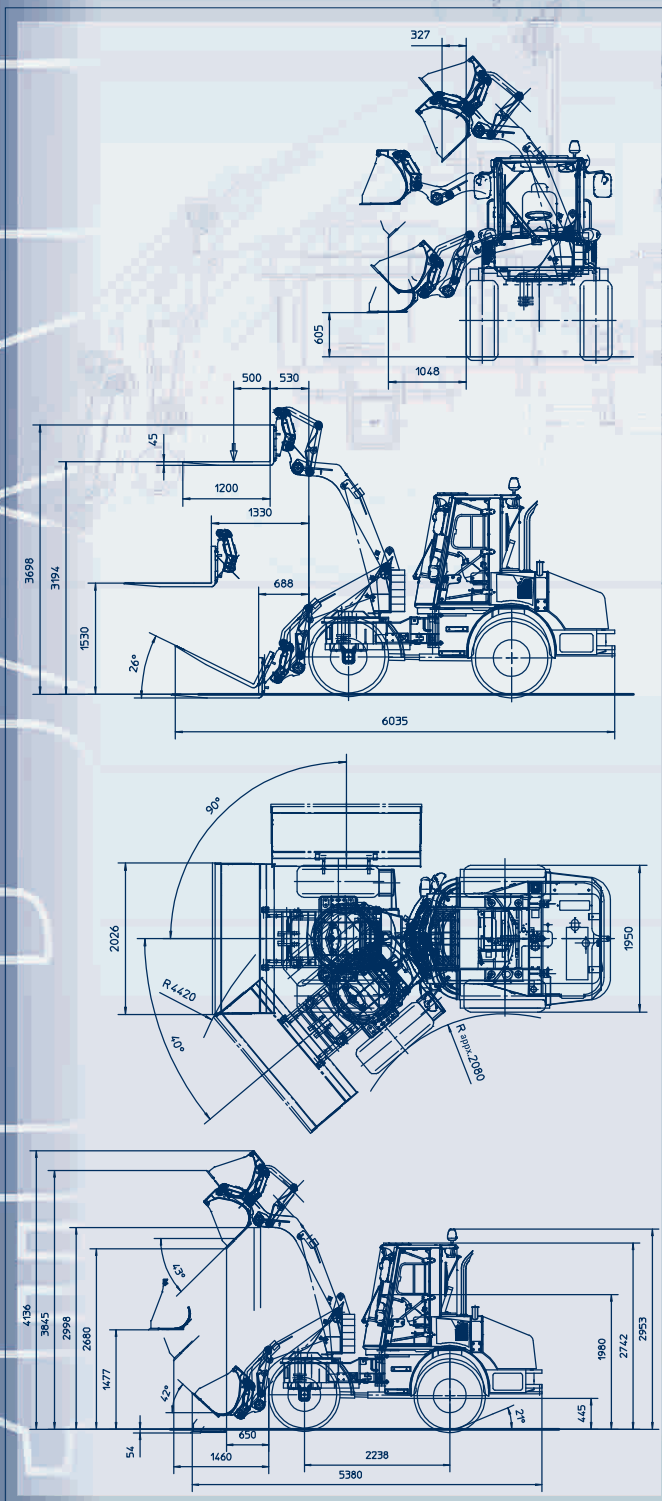
- top manoeuvrability
- compact dimensions
- hydraulic quick-change device
- 80° articulation area and additional 180° swivelling range = 260° range of action
- additional hydraulic circuit as standard
- option: 35 km/h version
- single-lever control
- many attachments available

Many extras as standard, e.g.

- wide tires
- central lubrication system for the caisson
- electro-hydraulic anticipatory control
- modern comfortable driver's cabin with comfortable driver's seat
- easy access to the cabin from both sides
- adjustable steering column

Powerful machine

- DEUTZ diesel engine with 75 kW
- power-controlled hydrostatic all-wheel drive
- differential lock front and rear as standard



Swivel Loader SL 1055

Shovel capacity	appx. 1.2 cbm
Shovel width	2200 mm
Breaking force	4240 kg
Tipping load, articulated	3210 kg
Lifting force at ground level	4000 kg
Operating weight	appx. 7100 kg
Tires	405/70 R 20
Engine / Performance	Deutz type BF4M2012; 75 kW / 2200 rpm.
Exhaust stage	EURO 2
Driving speeds	20 / 25 / 35 km/h
Turning radius inside / outside	2100 mm / 4500 mm
Specifications with lifting fork payload acc. to EN474-3	
payload 80% of transport-position / articulated	2800 kg / 2350 kg
payload 60% of transport-position / articulated	2100 kg / 1750 kg

Hermann Paus Maschinenfabrik GmbH

Siemensstr. 1-9, 48488 Emsbüren, Germany
P.O. Box 1161, 48486 Emsbüren, Germany

Phone: 00 49 (0) 59 03 - 7 07-0

Fax: 00 49 (0) 59 03 - 7 07-33

Mail: mail@paus.de · Internet: www.paus.de

All information without engagement. Machines comply with the latest European safety directives. We reserve the right to make design changes.